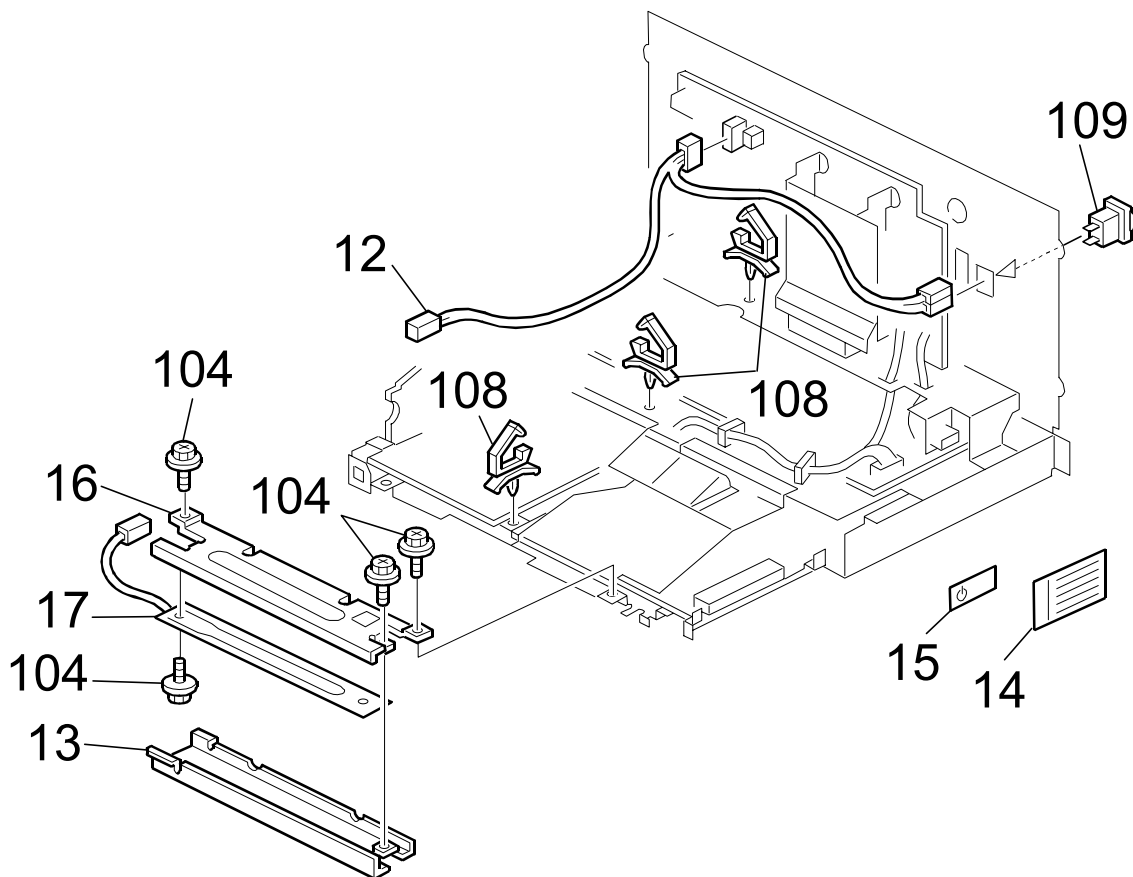


Model: Model G-P1		Date: 15-Mar-05	No.: MG104001
Modified Article: Tray Heater		Prepared by: S. Tomoe	
From: 1st Tech. Support Sec. Service Support Dept.			
Reason for Modification:	<input type="checkbox"/> Parts catalog correction	<input type="checkbox"/> Vendor change	<input type="checkbox"/> To meet standards ( )
	<input type="checkbox"/> To facilitate assembly	<input type="checkbox"/> To improve reliability	
	<input type="checkbox"/> Part standardization	<input checked="" type="checkbox"/> Other	

**Change:** The parts for the optional heater were added.  
**Reason:** These parts were missing from the Parts Catalog.

New Part Number	Description	Q'ty	Page	Index	Note
G1025411	Harness – Tray Heater	1	38	12	
G1025846	Cover – Tray Heater	1	38	13	
GA001042	Decal – ON/OFF	1	38	14	
GA001041	Decal – Standby	1	38	15	
G1025845	Bracket – Tray Heater	1	38	16	
AX400186	Heater – 120V-9W	1	38	17	
AX400187	Heater – 230V-9W	1	38	18	
12042570	Rocker Switch - SDDJE13200	1	38	109	
11050534	Clamp	3	38	108	
04513006N	Tapping Screw – M3x6	4	38	104	



Model: Model G-P1		Date: 15-Mar-05	No.: MG104002
Modified Article: PCU		Prepared by: S. Tomoe	
From: 1st Tech. Support Sec. Service Support Dept.			
Reason for Modification:	<input checked="" type="checkbox"/> Parts catalog correction	<input type="checkbox"/> Vendor change	<input type="checkbox"/> To meet standards ( )
	<input type="checkbox"/> To facilitate assembly	<input type="checkbox"/> To improve reliability	
	<input type="checkbox"/> Part standardization	<input type="checkbox"/> Other	

Old part number	New part number	Description	Page	Index	Note
G2352001	G2350515	PCU-M	19	1	
G2352002	G2350512	PCU-C	19	2	
G2352003	G2350513	PCU-Y	19	3	

**Change/Reason:** Parts Catalog P/N change only (pre-mass production).

Model: Model G-P1	Date: 7-Apr-05	No.: MG104003
-------------------	----------------	---------------

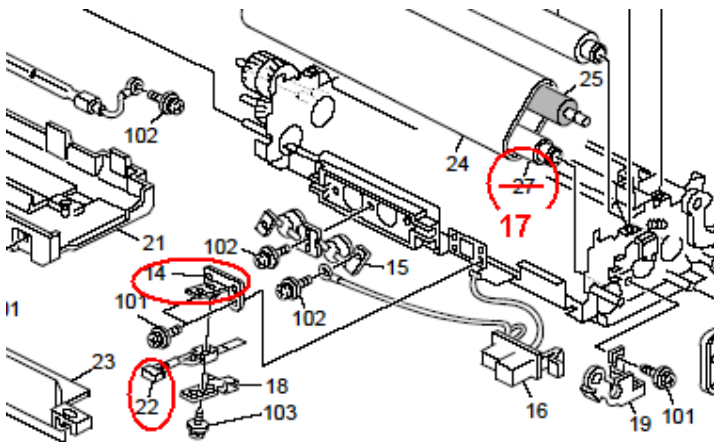
Modified Article: Fusing unit		Prepared by: K. Moriizumi	
From: 1st Tech. Support Sec. Service Support Dept.			
Reason for Modification:	<input checked="" type="checkbox"/> Parts catalog correction	<input type="checkbox"/> Vendor change	<input type="checkbox"/> Other
	<input type="checkbox"/> To facilitate assembly	<input type="checkbox"/> To improve reliability	<input type="checkbox"/> To meet standards
	<input type="checkbox"/> Part standardization	<input type="checkbox"/> Product Safety	( )

Old part number	New part number	Description	Q'ty	Int	Page	Index	Note
	G1024157	Bracket: Thermistor	1	-	25	22→14	
	GW100005	Thermistor: Fusing	1	-	25	17→22	
	GE100001	Heat Roller: Dia20	1	-	24 25	27→17 14→17	

**Change/Reason:** The index numbers in the table were corrected.

**Note:**

1. Illustration (pg. 24): #27→17
2. Parts list (pg. 25): #22→14, #17→22, #14→17



Model: Model G-P1		Date: 9-May-05	No.: MG104004
Modified Article: Decals		Prepared by: S.Tomoe	
From: 1st Tech. Support Sec. Service Support Dept.			
Reason for Modification:	<input checked="" type="checkbox"/> Parts catalog correction <input type="checkbox"/> Vendor change <input type="checkbox"/> Other <input type="checkbox"/> To facilitate assembly <input type="checkbox"/> To improve reliability <input type="checkbox"/> To meet standards <input type="checkbox"/> Part standardization <input type="checkbox"/> Product Safety                    (        )		

Part Number	Description	Q'ty	Int	Page	Index	Note
GA001014	Decal Name Plate:RIC:EXP:P1-a	1		45	3→4	
GA001015	Decal Name Plate:RIC:EXP	1		45	3→4	
GA001016	Decal Name Plate:GES:G104	1		45	3→4	
GA001018	Decal Name Plate:NSA:G104	1		45	3→4	
GA001019	Decal Name Plate:REX:G104	1		45	3→4	
GA001020	Decal Name Plate::GES:G105	1		45	3→4	
GA001021	Decal Name Plate:NSA:G105	1		45	3→4	
GA001022	Decal Name Plate:REX:G105	1		45	3→4	
GA001024	Decal Name Plate:LAN:G104:EU	1		45	3→4	
GA003035	Energy Decal	1		45	4→3	

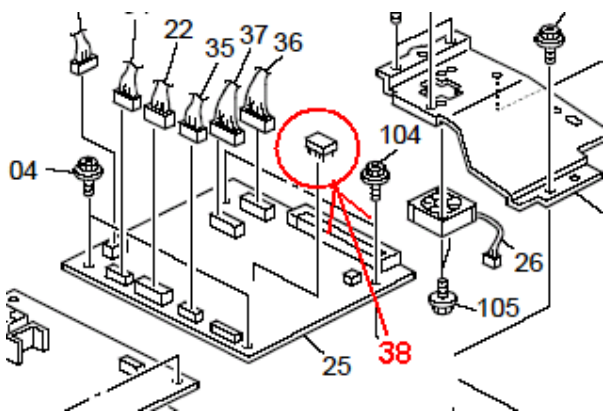
**Change/Correction:** The index numbers for these parts were corrected.

Model: Model G-P1	Date: 9-May-05	No.: MG104005
-------------------	----------------	---------------

Modified Article: NVRAM on EGB	Prepared by: S.Tomoe
From: 1st Tech. Support Sec. Service Support Dept.	
Reason for Modification:	<input checked="" type="checkbox"/> Parts catalog correction <input type="checkbox"/> Vendor change <input type="checkbox"/> Other <input type="checkbox"/> To facilitate assembly <input type="checkbox"/> To improve reliability <input type="checkbox"/> To meet standards <input type="checkbox"/> Part standardization <input type="checkbox"/> Product Safety    (    )

Part Number	Description	Q'ty	Int	Page	Index	Note
14076362	EEPROM:BR24L64-W	1		37	38	

**Change/Reason:** The index was added to the illustration.



Model: Model G-P1	Date: 9-May-05	No.: MG104006
-------------------	----------------	---------------

Modified Article: NVRAM on CTL Board	Prepared by: S.Tomoe
From: 1st Tech. Support Sec. Service Support Dept.	

Reason for Modification:	<input checked="" type="checkbox"/> Parts catalog correction	<input type="checkbox"/> Vendor change	<input type="checkbox"/> Other
	<input type="checkbox"/> To facilitate assembly	<input type="checkbox"/> To improve reliability	<input type="checkbox"/> To meet standards
	<input type="checkbox"/> Part standardization	<input type="checkbox"/> Product Safety	( )

Old part number	New part number	Description	Q'ty	Int	Page	Index	Note
	14076465	RAM:FM25L256-PG(REV.AG)	1		40	42	

**Change/Reason:**

1. "RAM:FM25L256-PG(REV.AG)" was added to the illustration and the parts list.
2. Index #4, #14 and #26 were added to the illustration.

